



LAWA DESIGN GUIDELINES FOR LINEAR LAVATORIES

Table of Contents

Cover	
Index	Sheet A
Introduction	Sheet B
Stand-Alone Modules	Sheet C
Ganged Modules	Sheet D
Materials, Finishes, Hardware and Accessories	Sheet E
Plans, Elevations Section and Detail Sketches	SK01 to SK06

Introduction

The design guidelines reflected in this document has been developed to address LAWA's aesthetic vision for the future, ergonomics, compliance with ADA, convenience, durability of materials, performance and ease of maintenance. To the greatest extent possible it is prescriptive to assure consistency that best serves LAWA.

There are a number of significant elements to the approved design. One of the most significant is the incorporation of multiple thru counter trash drops immediately adjacent to each wash station that minimizes hand water drip accumulation on the floor and maximizes hidden paper towel capacity. Another significant element of the design is a parcel shelf above and behind the wash stations directly under the mirror. The following is a list of significant elements that are important to the multitude of stakeholders who have been a part of this exercise.

1. Ergonomics
2. ADA compliance
3. One to one relationship of wash stations to trash drops
4. Parcel shelf
5. Mechanically fastened framed mirrors
6. Continuous recessed linear light fixture
7. 30 inch tall trash receptacles with no surrounding enclosure
8. No stainless steel ring at trash drop
9. Easily removable, light weight, stainless steel skirt panels to conceal plumbing
10. White solid surface material lavatory
11. Automatic faucet with polished chrome finish
12. Soap dispenser with polished chrome finish
13. Easily accessible concealed Bobrick soap reservoir
14. Drain cover
15. Semi recessed automatic paper towel dispenser

Performance Design Criteria Coordination

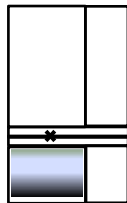
When laying out each restroom's lavatory design, it's critical to pay special attention to the size of all recessed restroom accessory, especially, the soap reservoir and paper towel dispensers. Locating the soap reservoir is imperative to a successful linear lavatory design. Other criteria requiring careful planning include the linear lavatory steel framing, metal wall framing, concrete curb, chase wall utilities and access panels for the each faucet shut off and mixing valve.

The amount of use and abuse the linear lavatory receives requires the design and products to be extremely durable, yet easy to access for repairs and service. Millions of passengers and airport employees will use this lavatory.

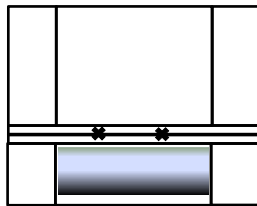
Stand-Alone Modules

In new toilet room layouts the use of standard lavatory/trash drop configurations are mandated. Where space constraints prevent compliance with the preferred standard layout of wash stations and trash drops, in either stand alone or ganged configuration, non-standard layout configurations may be used with LAWA authorization. LAWA authorization will be on a case by case basis. Permission to deviate from the standard in one location is not universal or applicable to other toilet room layouts.

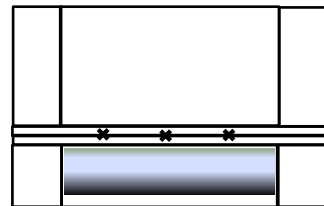
There are three Standard Stand-Alone Modules; a Standard Single, Double and Triple Module. The Standard Single Module is asymmetrical with a trash drop to the side of a single wash station with a wall to wall mirror and purse shelf. The Standard Double and Triple Modules are symmetrical with trash drops flanking the wash stations. (see schematic elevations below)



Single



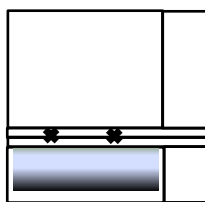
Double



Triple

Non-Standard Stand-Alone Modules

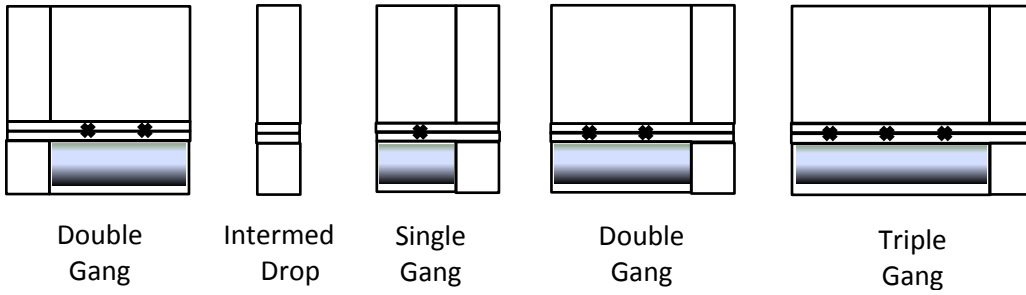
There is one (1) atypical Non-Standard Stand-Alone Modules to use where fixture requirements and spatial limitations make compliance with the preferred Stand-Alone Modules impossible or excessive. The Non-Standard Double has two wash stations with a single trash drop to one side and a wall to wall mirror and purse shelf. (see schematic elevation below)



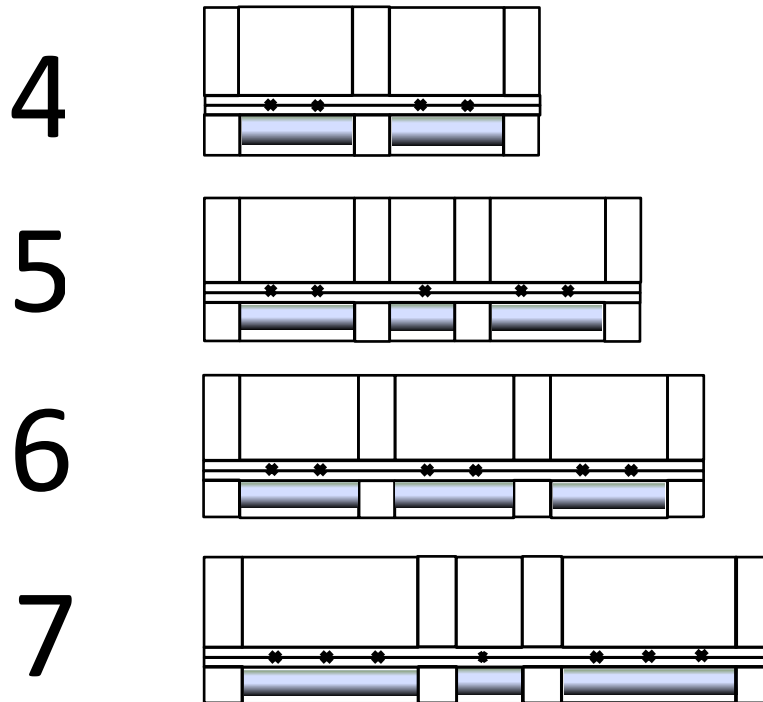
Double

Ganged Modules

Where more than three (3) wash stations are required, standard Single, Double and Triple modules are to be ganged together or added to a Double Gang Base Module. *(see schematic elevations below)*



Standard Ganged Configurations for 4, 5, 6 and 7 wash station configurations are shown for convenience. *(see schematic elevations below)*



Materials, Finishes, Hardware, Fixtures and Accessories

Tile: Product: Ceramic white rectilinear tile.
Installation: Stack bond preferred.

Grout: Product: Urethane Based Grout (non- sanded)
Finish: White

End Wall Cap: Product: 14 Gauge, 304 Stainless Steel
Finish: No. 6 Brushed

Solid Surface Material: Product: Du Pont Corian (or equal), or DuPont Zodiaq Quartz
Finish: For Corian, use 'Antarctica White', for Zodiaq, use 'Cloud White'

Stainless Steel Skirt: Product: 304 Stainless Steel adhered to ½" phenolic panel backing
Finish: Stamped Pattern 5wl

Hardware

Lock: Product: Keyed Cam Lock with removable Key Core per LAWA Standards.
Finish: Chrome Plated

Fixtures

Automatic Faucet: Product: Electronic Sensor Faucet
Finish: Polish Chrome
Reference: Section 22 40 00 Plumbing Fixtures of the LAWA D&CH

Soap Dispenser: Product: Pump Activated Soap Dispenser
Finish: Polished Chrome
Reference: Section 22 40 00 Plumbing Fixtures, LAWA D&CH

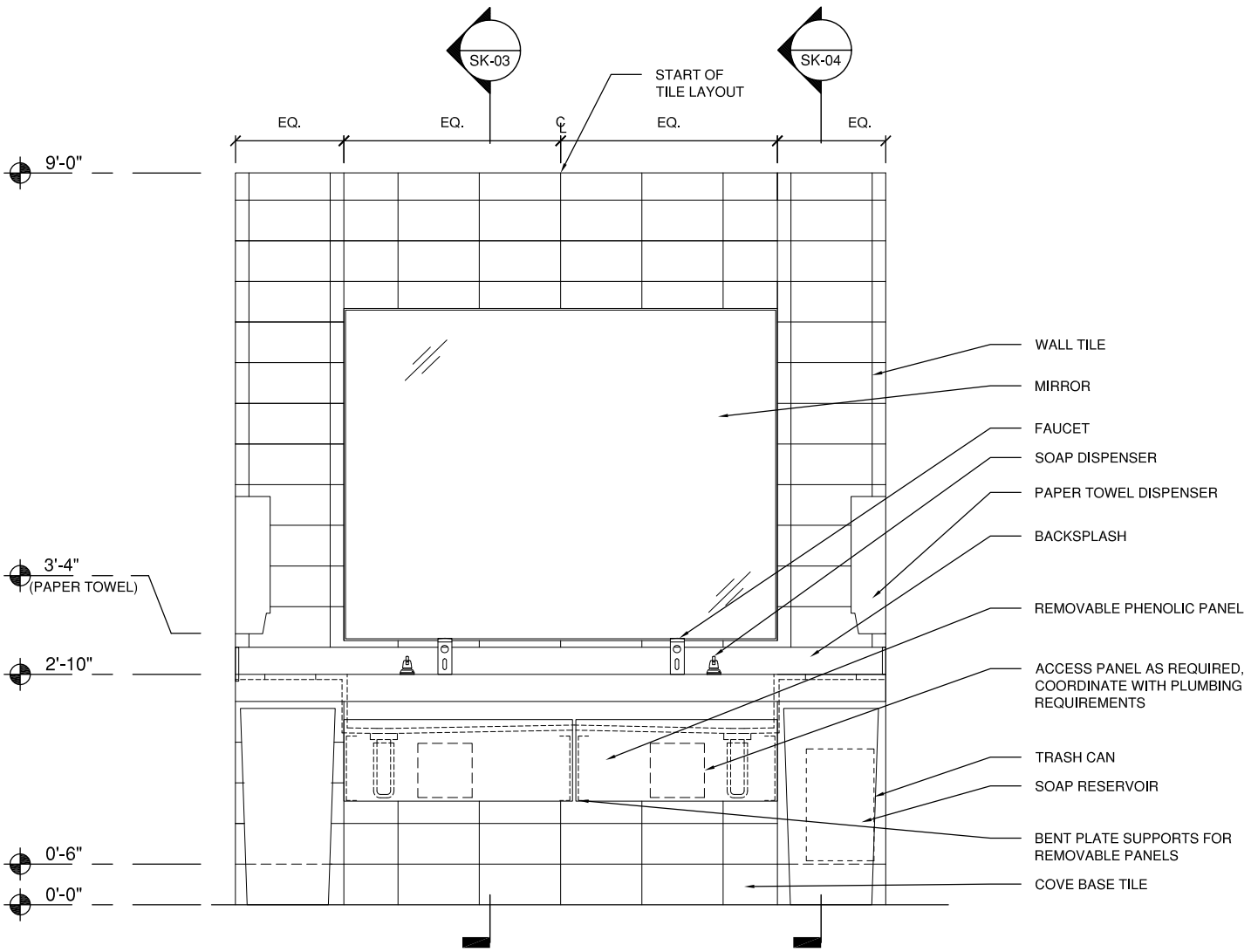
Accessories

Trash Can: Product: 14 x 14 x 30 Stainless Steel Trash Bin
Finish: Brushed
Reference: Section 10 28 00 Toilet Accessories, LAWA D&CH

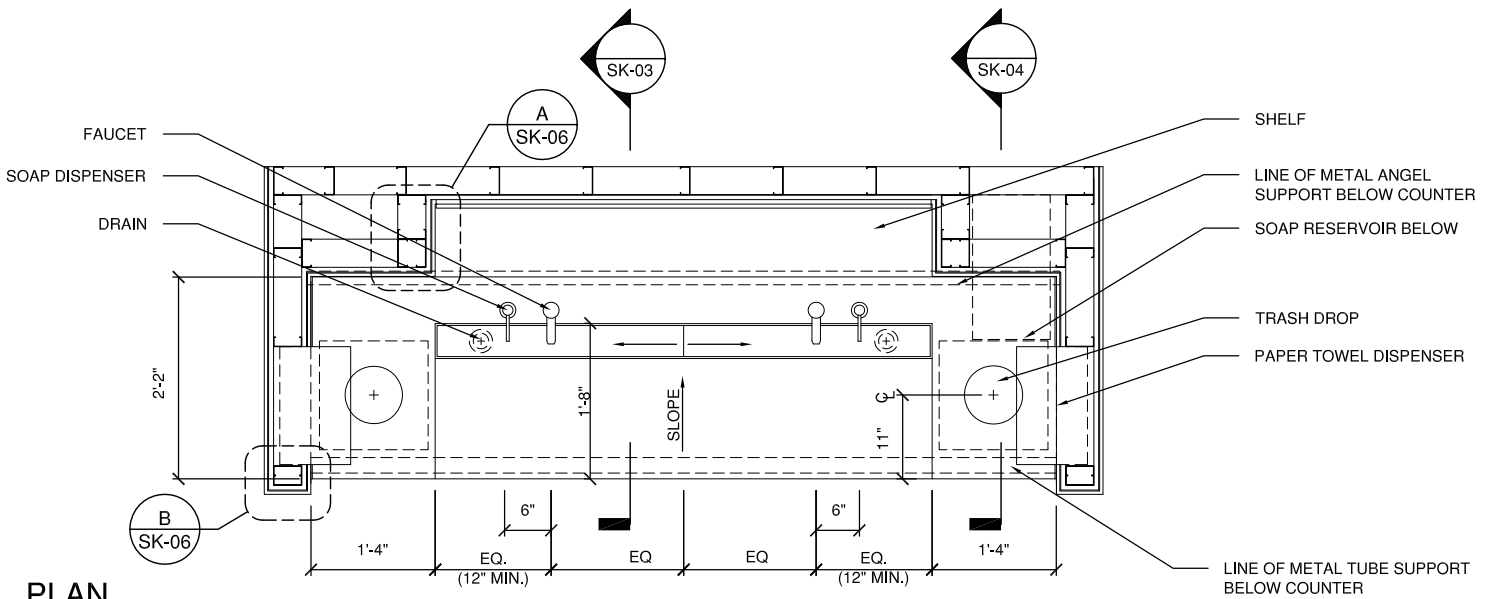
Towel Dispenser: Product: Automatic Paper Towel Dispenser
Finish: Brushed Stainless Steel
Reference Section 10 28 00 Toilet Accessories, LAWA D&CH

Soap Delivery System: Product: Soap Dispensing System
Reference Section 10 28 00 Toilet Accessories, LAWA D&CH

Mirror: Product: Mechanically Hung Vandal Resistant Framed Mirror
Finish: Polished SS Frame
Reference: Section 10 28 00 Toilet Accessories, LAWA D&CH



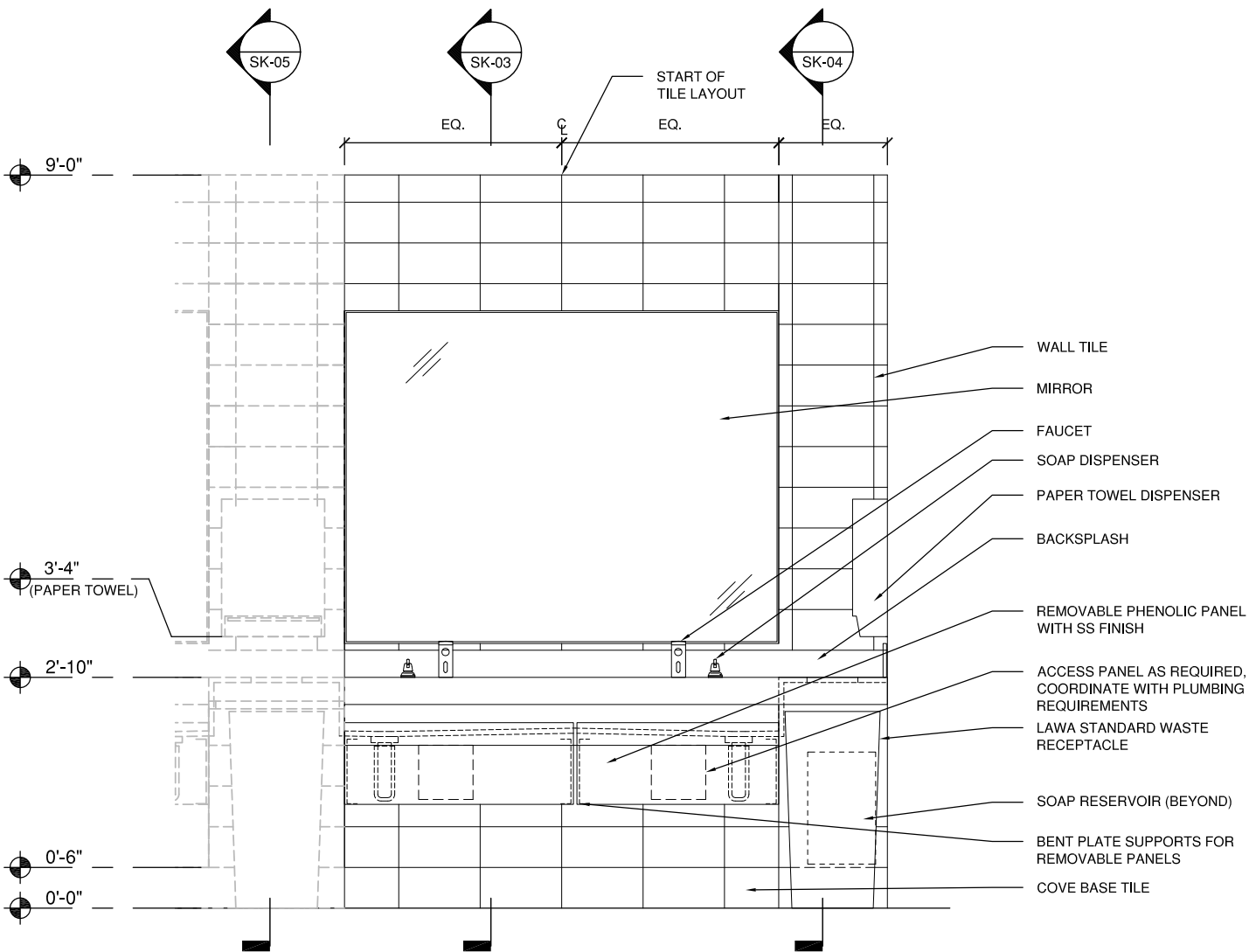
ELEVATION



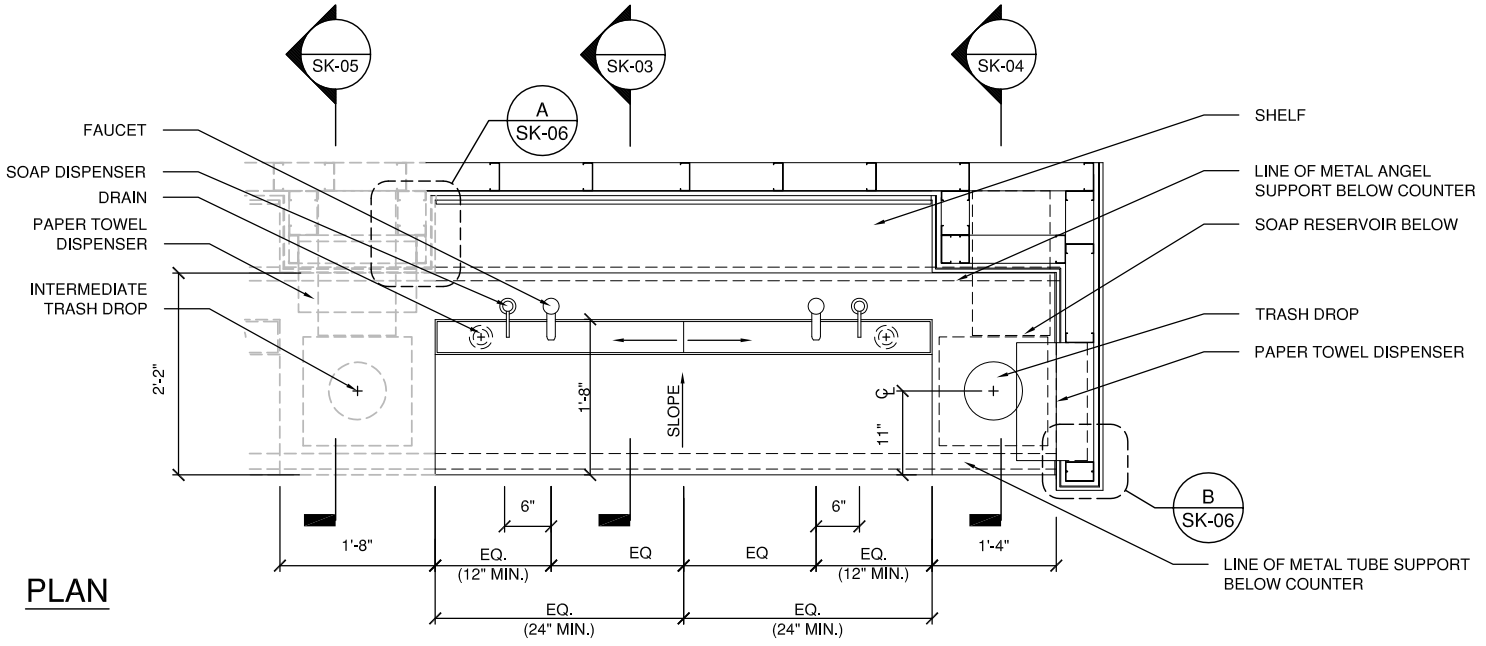
PLAN

**DOUBLE STAND-ALONE MODULE
PLAN AND ELEVATION**

SHEET
SK-01



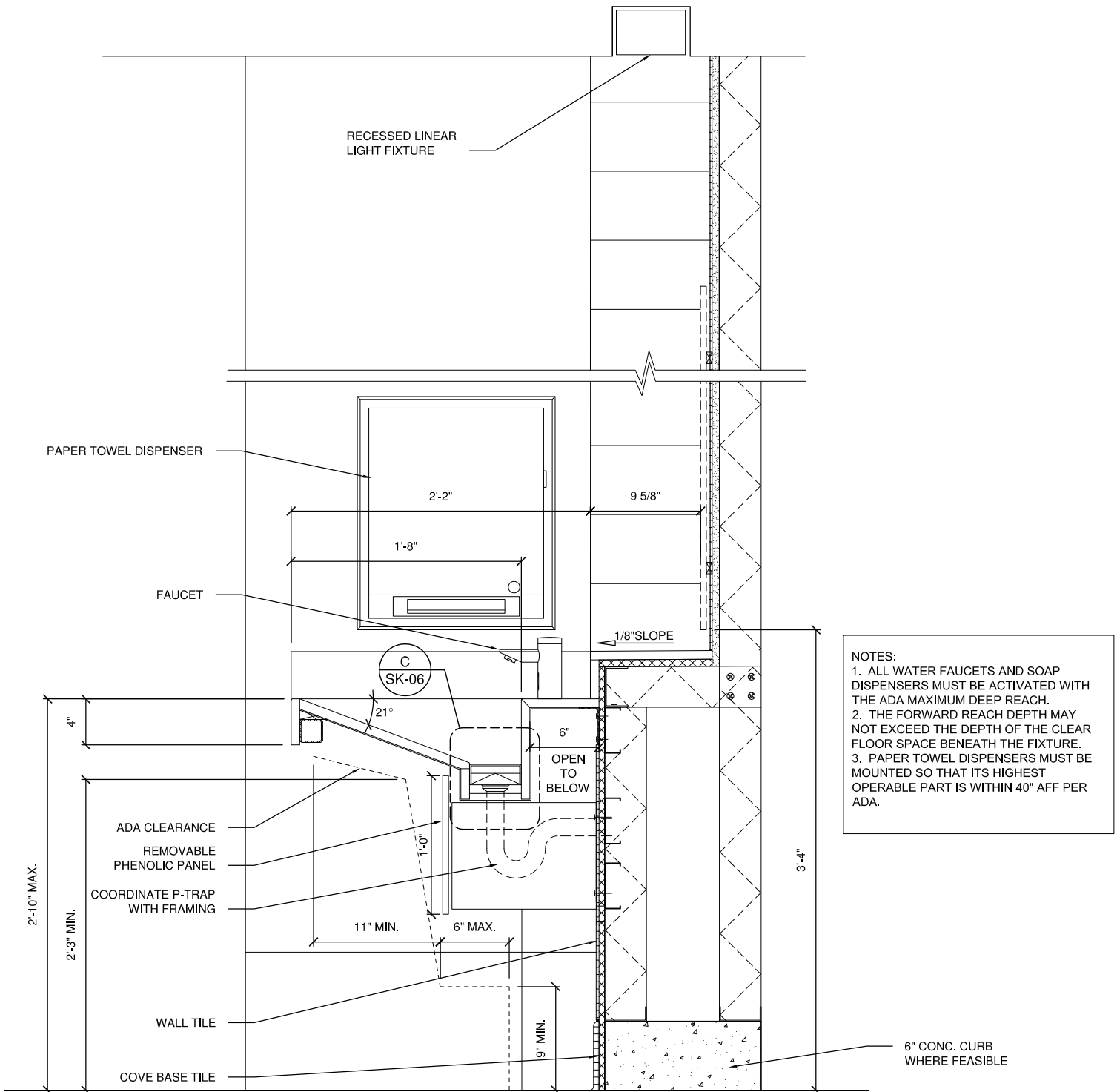
ELEVATION



PLAN

**DOUBLE GANG MODULE
PLAN AND ELEVATION**

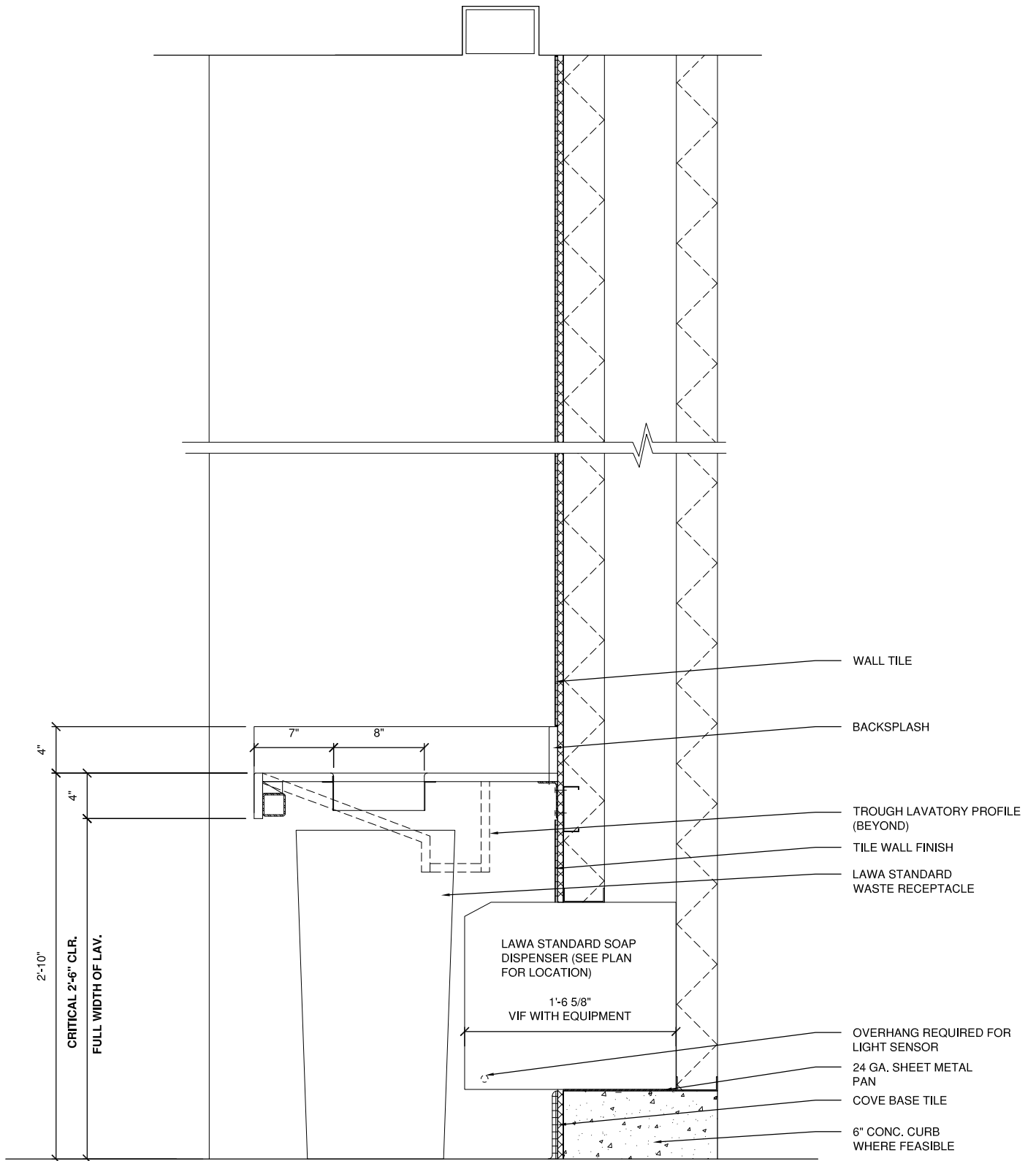
SHEET
SK-02



- NOTES:
1. ALL WATER FAUCETS AND SOAP DISPENSERS MUST BE ACTIVATED WITH THE ADA MAXIMUM DEEP REACH.
 2. THE FORWARD REACH DEPTH MAY NOT EXCEED THE DEPTH OF THE CLEAR FLOOR SPACE BENEATH THE FIXTURE.
 3. PAPER TOWEL DISPENSERS MUST BE MOUNTED SO THAT ITS HIGHEST OPERABLE PART IS WITHIN 40" AFF PER ADA.

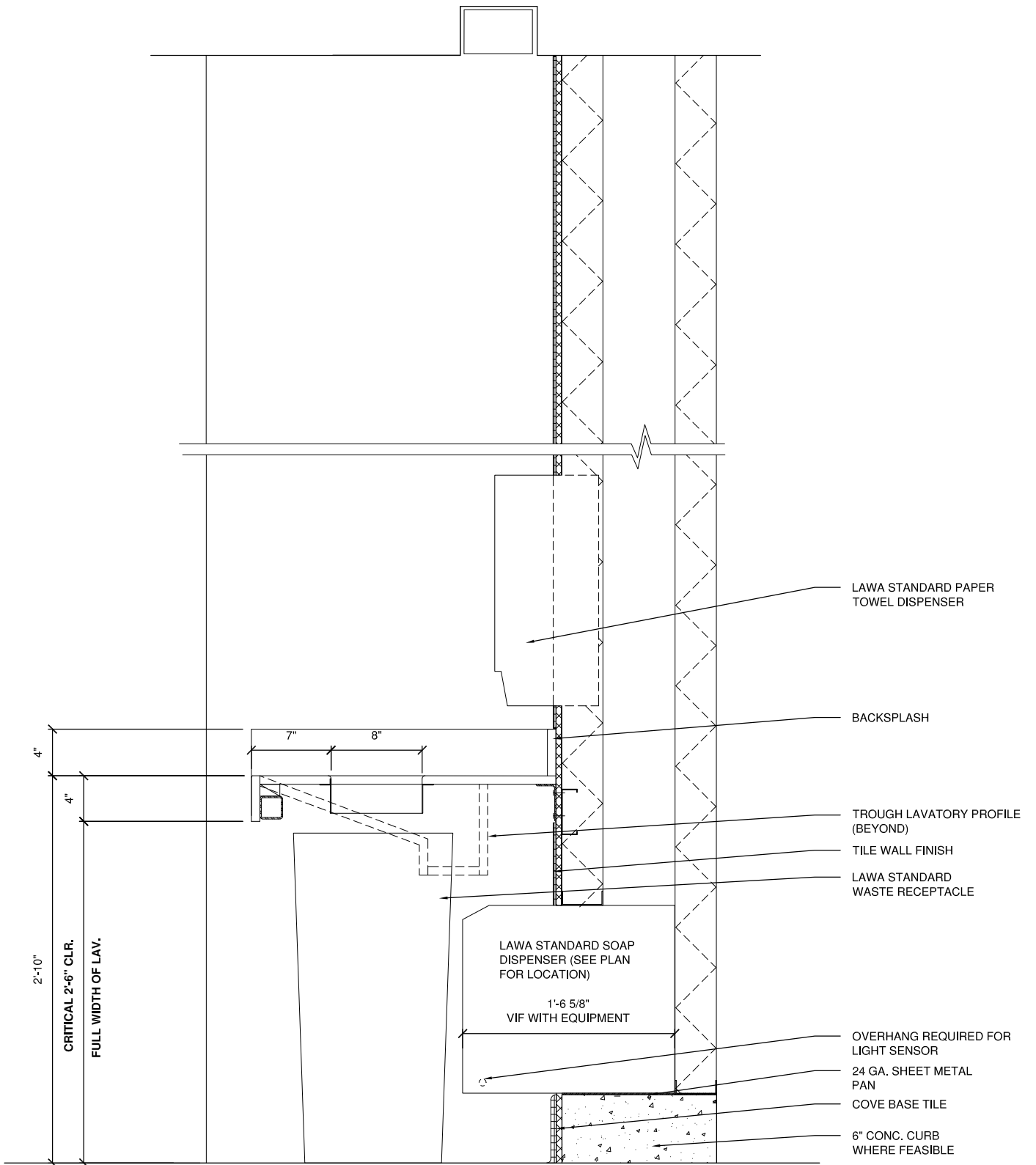
SECTION @ LAVATORY

SHEET
SK-03



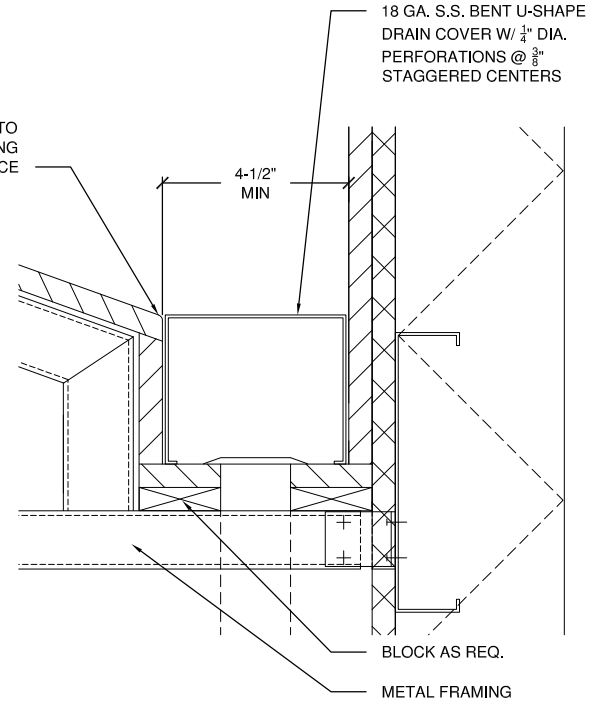
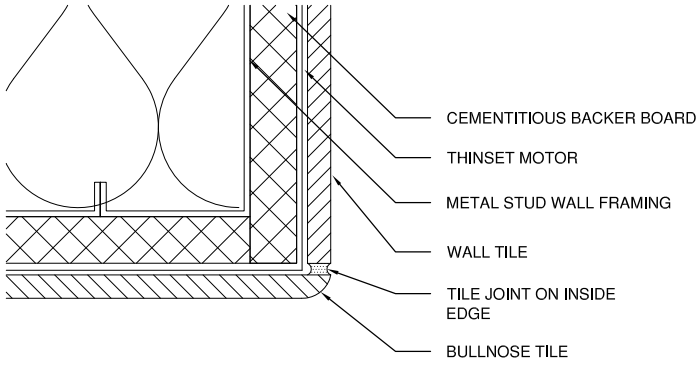
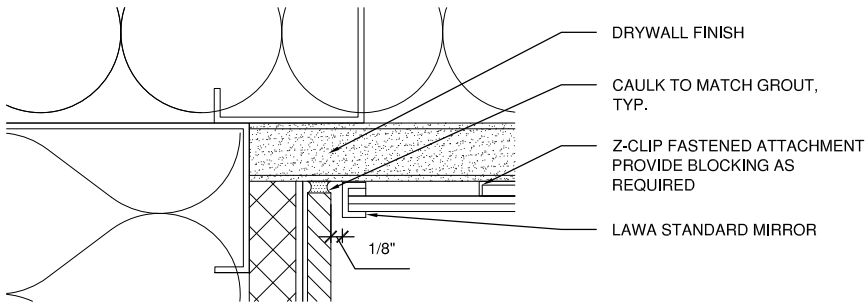
SECTION @ TRASH & SOAP

SHEET
SK-04



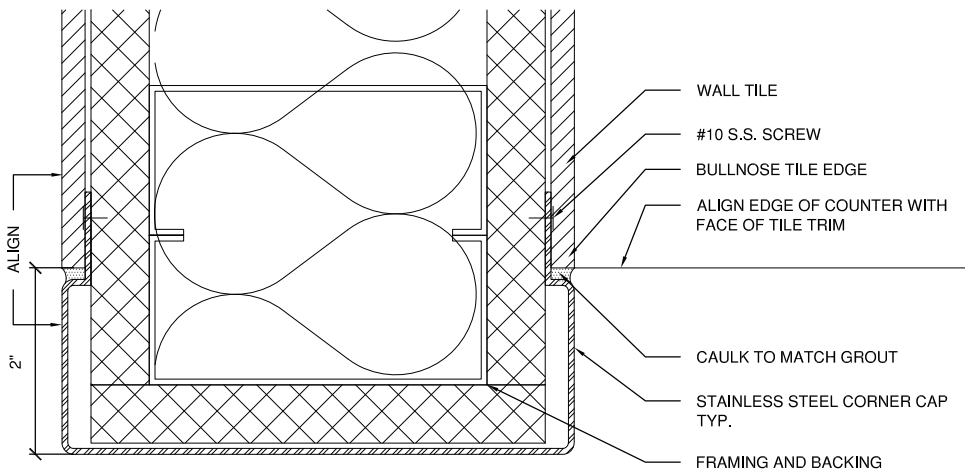
SECTION @ TRASH & SOAP

SHEET
SK-05



A TILE CORNER DETAIL
 @ END WALL CONDITION
 Scale: 6"=1'-0"

C REMOVABLE DRAIN COVER
 Scale: 3"=1'-0"



B TILE CORNER DETAILS
 @ END WALL CONDITION
 Scale: 6"=1'-0"